

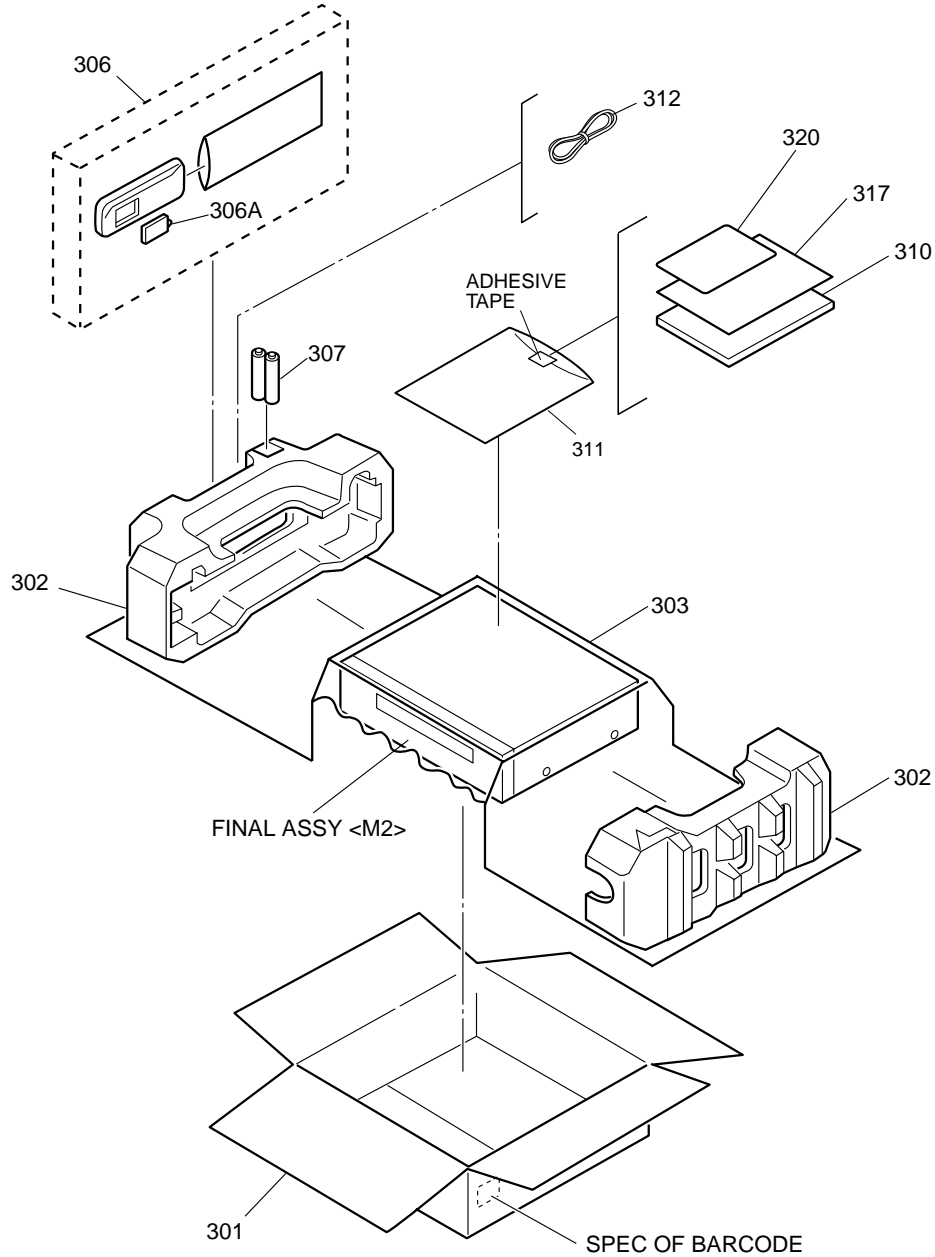
# SECTION 5 PARTS LIST

## SAFETY PRECAUTION

Parts identified by the  $\triangle$  symbol are critical for safety. Replace only with specified part numbers.

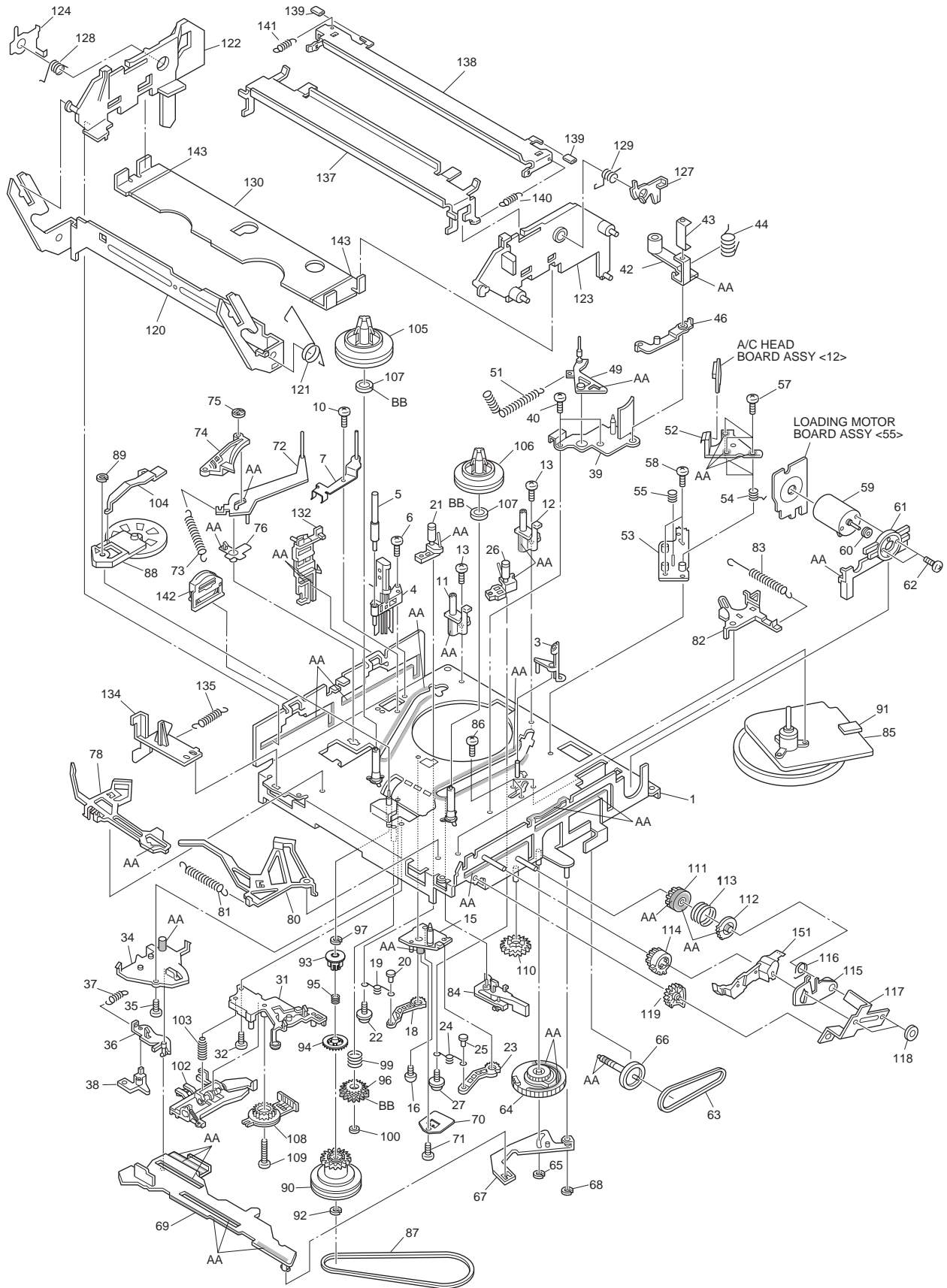
### 5.1 PACKING AND ACCESSORY ASSEMBLY <M1>

The instruction manual to be provided with this product will differ according to the destination.



# $\triangle$ REF No.	PART No.	PART NAME, DESCRIPTION	# $\triangle$ REF No.	PART No.	PART NAME, DESCRIPTION
*****					
<b>PACKING AND ACCESSORY ASSEMBLY &lt;M1&gt;</b>					
301	LP30836-028A	PACKING CASE	306A	LP40610-001A	COVER(BATTERY)
302	LP30777-001C	CUSHION ASSY	307	—	BATTERY,X2("AA"TYPE)
303	LP30904-002A	SHEET	$\triangle$ 310	LPT0611-001A	INST.BOOK(EN)
306	LP20878-001A	REMOTE CONTROLLER	311	QPC02503530P	POLY BAG
			312	PEAC0294-04	RF CABLE
			317	BT-51028-1	REGIST.CARD
			320	LP31073-001A	STICKER

5.2 MECHANISM ASSEMBLY <M4>



Classification	Part No.	Symbol in drawing
Grease	KYODO-SH-P	AA
Oil	COSMO-HV56	BB

**NOTE:**The section marked in **AA** and **BB** indicate lubrication and greasing areas.

#	△	REF No.	PART No.	PART NAME, DESCRIPTION	#	△	REF No.	PART No.	PART NAME, DESCRIPTION
*****									
<b>MECHANISM ASSEMBLY &lt;M4&gt;</b>									
1			LP20821-006A	MAIN DECK ASSY	75			PQ46302-1-3	ADJUST PIN
3			LP30492-002B	GUIDE POLE GUARD	76			LP30232-002A	TENSION ARM BEARING
4			NAH0001-001	FULL ERASE HEAD	78			LP40532-008B	MAIN BRAKE ASSY (SUPPLY)
5			LP40098-001B	GUIDE POLE(SUPPLY)	80			LP40111-011A	MAIN BRAKE ASSY (TAKE UP)
6			QYTDST2608Z	SCREW,FE HEAD	81			LP30003-026A	TENSION SPRING
7			LP40637-002A	TENSION STUD BASE ASSY	82			LP40112-001F	SUB BRAKE ASSY(TAKE UP)
10			QYTDST2606Z	SCREW	83			LP40357-002A	TENSION SPRING
11			LP30409-002C	UV CATCHER 2 (SUPPLY)	84			LP40461-001A	CAPSTAN BRAKE ASSY
12			LP30409-002C	UV CATCHER 2 (TAKE UP)	85			QAR0087-005	CAPSTAN MOTOR
13			QYTPST2606Z	SCREW,X2	86			QYTDST2606M	SCREW,X3
15			LP30223-003C	LOADING ARM GEAR SHAFT	87			LP30005-007A	BELT,CAPSTAN MOTOR
16			QYTDST2606Z	SCREW	88			LP40114-012A	IDLER ARM ASSY
18			LP30224-001B	LOADING ARM GEAR(SUPPLY)	89			LP30016-001A	SLIT WASHER
19			LP40099-001A	TORSION ARM	90			LP40593-001A	CLUTCH UNIT 3
20			LP40100-001A	PIN	91			LP30002-097A	SPACER,CAPSTAN MOTOR
21			LP40101-006A	POLE BASE ASSY(SUPPLY)	92			PQM30017-47	SLIT WASHER
22			QYSPSTG2606Z	SCREW	93			LP30696-002A	CLUTCH GEAR 4
23			LP40103-002B	LOADING ARM GEAR(TAKE UP)	94			LP30697-003A	COUPLING GEAR
24			LP40099-001A	TORSION ARM	95			LP40554-002A	COMPRESSION SPRING
25			LP40100-002A	PIN	96			LP40442-001A	DIRECT GEAR
26			LP40104-006A	POLE BASE ASSY(TAKE UP)	97			LP30017-019A	SPACER
27			QYSPSTG2606Z	SCREW	99			LP40483-002A	COMPRESSION SPRING
31			LP20233-004B	ROTARY ENCODER GUIDE	100			LP30016-001A	SLIT WASHER
32			QYTPST2606Z	SCREW	102			LP40484-001J	CHANGE LEVER ASSY
34			LP30226-004E	CONTROL PLATE GUIDE	103			LP40512-002B	COMPRESSION SPRING
35			QYTPST2605Z	SCREW	104			LP30236-002C	IDLER LEVER
36			LP30249-003B	TAKE UP LEVER	105			LP20237-001B	REEL DISK (SUPPLY)
37			LP30003-006A	TENSION SPRING	106			LP20238-001B	REEL DISK (TAKE UP)
38			LP40119-002A	TAKE UP HEAD	107			LP30017-015A	SPACER,X2
39			LP20234-004B	LID GUIDE	108			QSW0554-003	ROTARY ENCODER
40			QYTDST2606Z	SCREW,X2	109			QYTPST2620Z	SCREW
42			LP40105-003A	PINCH ROLLER ARM ASSY	110			LP30237-002B	CASSETTE GEAR
43			LP40753-001A	PINCH ROLLER SHEET3	111			LP30239-002G	LIMIT GEAR(1)
44			LP40148-002A	TORSION SPRING	112			LP30240-002G	LIMIT GEAR(2)
46			LP40149-001C	PRESS LEVER ASSY	113			LP40136-001E	TORSION SPRING
49			LP40106-007A	GUIDE ARM ASSY	114			LP30242-002A	RELAY GEAR
51			LP40134-002A	TENSION SPRING	115			LP30339-002E	OPENER GUIDE
52			QAH0058-001	AC HEAD	116			LP40545-001A	TORSION SPRING
53			LP30228-001C	HEAD BASE	117			LP40214-001B	C.H.BRACKET
54			LP30004-013A	COMPRESSION SPRING,X3	118			PQM30017-47	SLIT WASHER,X2
55			LP40236-001A	COMPRESSION SPRING	119			LP30243-002A	DRIVE GEAR
57			LP40213-002B	SPECIAL SCREW,X3	120			LP20240-001G	DRIVE ARM
58			QYTDST2608Z	SCREW,X2	121			LP40137-001A	TORSION SPRING
59			QAR0023-001	LOADING MOTOR	122			LP10081-002L	SIDE HOLDER(L)
60			PQ43546-1-2	MOTOR PULLEY	123			LP10082-002M	SIDE HOLDER(R)
61			LP30230-003D	MOTOR GUIDE	124			LP30255-006A	LOCK LEVER(L)
62			QYTPSP3003Z	SCREW,X2	127			LP30256-001H	LOCK LEVER(R)
63			LP30005-003A	BELT,LOADING MOTOR	128			LP40168-003A	TORSION SPRING(L)
64			LP20791-002D	CONTROL CAM	129			LP40218-001B	TORSION SPRING(R)
65			PQM30017-24	SLIT WASHER	130			LP30257-001G	CASSETTE HOLDER
66			LP40120-001A	WORM GEAR	132			LP30244-002G	GUIDE RAIL
67			LP40107-002A	LINK LEVER ASSY	134			LP30245-002F	REC SAFETY LEVER
68			PQM30017-24	SLIT WASHER	135			LP30003-004A	TENSION SPRING
69			LP10201-003G	CONTROL PLATE	137			LP20578-001C	TOP GUIDE
70			LP40379-001B	CONTROL BRACKET(1)	138			LP30500-001C	HOLD PLATE
71			QYTDST2608M	SCREW	139			LP40450-003A	PAD,X2
72			LP40108-002A	TENSION ARM ASSY	140			LP30003-025B	TENSION SPRING
73			LP30003-010A	TENSION SPRING	141			LP30003-024A	TENSION SPRING
74			LP40109-003D	TENSION BRAKE ASSY	142			LP40481-003A	ROLLER CAM ASSY
					143			LP30019-014A	PAD,X2
					151			LP20324-003B	DOOR OPENER

### 5.3 ELECTRICAL PARTS LIST

#	△ REF No.	PART No.	PART NAME, DESCRIPTION
*****			
<b>MAIN BOARD ASSEMBLY &lt;03&gt;</b>			
	PW1	LPA10130-01E1	MAIN BOARD ASSY
	IC1	JCP8041-NVA	IC
△	IC2201	AN3663FBP	IC
	IC3001	MN101D02GWA	IC
		or MN101DP02JAFWA	IC
	IC3002	BA6956AN	IC
	IC3004	S-24C04BFJ-X	IC
		or X24C04S	IC
		or AT24C04N-10SC-X	IC
		or BR24C04F-W-X	IC
		or 24LC04B/SN-X	IC
	IC5301	L5431	IC
		or MM1431AT	IC
		or UTCTL431	IC
	IC7042	GP1U291Q	IR DETECT UNIT
		or PIC-28143LJ	IR DETECT UNIT
		or PNA4652M00YC	IR DETECT UNIT
		or PIC-37143LJ	IR DETECT UNIT
	Q22	2SC4081/QRS/-X	TRANSISTOR
		or 2PC4081/R/-X	TRANSISTOR
	Q32	DTC144WU	TRANSISTOR
		or PDTC144WU	TRANSISTOR
		or RN1309	TRANSISTOR
		or UN521E	TRANSISTOR
	Q901	2SA1576A/QRS/-X	TRANSISTOR
		or 2PA1576/R/-X	TRANSISTOR
	Q2001	2SC4081/QRS/-X	TRANSISTOR
		or 2SD1819A/QRS/-X	TRANSISTOR
		or 2PC4081/R/-X	TRANSISTOR
	Q2002	2SC4081/QRS/-X	TRANSISTOR
		or 2PC4081/R/-X	TRANSISTOR
		or 2SD1819A/QRS/-X	TRANSISTOR
	Q2003	DTA144WU	TRANSISTOR
		or PDTA144WU	TRANSISTOR
		or RN2309	TRANSISTOR
		or UN511E	TRANSISTOR
	Q2051	2SC4081/QRS/-X	TRANSISTOR
		or 2SD1819A/QRS/-X	TRANSISTOR
		or 2PC4081/R/-X	TRANSISTOR
	Q2052	2SA1576A/QR/-X	TRANSISTOR
		or 2PA1576/R/-X	TRANSISTOR
		or 2SB1218A/QR/-X	TRANSISTOR
	Q2053	DTC144WU	TRANSISTOR
		or PDTC144WU	TRANSISTOR
		or RN1309	TRANSISTOR
		or UN521E	TRANSISTOR
	Q2054	2SA1576A/QR/-X	TRANSISTOR
		or 2SB1218A/QR/-X	TRANSISTOR
		or 2PA1576/R/-X	TRANSISTOR
	Q2055	DTC144WU	TRANSISTOR
		or PDTC144WU	TRANSISTOR
		or RN1309	TRANSISTOR
		or UN521E	TRANSISTOR
	Q2201	DTA144WU	TRANSISTOR
		or PDTA144WU	TRANSISTOR
		or RN2309	TRANSISTOR
		or UN511E	TRANSISTOR

#	△ REF No.	PART No.	PART NAME, DESCRIPTION
	Q2202	DTC144WU	TRANSISTOR
		or PDTC144WU	TRANSISTOR
		or RN1309	TRANSISTOR
		or UN521E	TRANSISTOR
	Q2203	2SC4081/QRS/-X	TRANSISTOR
		or 2PC4081/R/-X	TRANSISTOR
		or 2SD1819A/QRS/-X	TRANSISTOR
	Q2204	2SC4081/QRS/-X	TRANSISTOR
		or 2SD1819A/QRS/-X	TRANSISTOR
		or 2PC4081/R/-X	TRANSISTOR
	Q3002	PTZ-NV16A	PHOTO TRANSISTOR
	Q3006	2SC4081/QRS/-X	TRANSISTOR
	Q3007	2SC4081/QRS/-X	TRANSISTOR
	Q4001	UN5211	TRANSISTOR
		or RN1302	TRANSISTOR
		or DTC114EU	TRANSISTOR
		or PDTC114EU	TRANSISTOR
	Q4002	2SD1819A/QRS/-X	TRANSISTOR
		or 2PC4081/R/-X	TRANSISTOR
		or 2SC4081/QRS/-X	TRANSISTOR
	Q5101	2SK2043-CB14	FE TRANSISTOR
		or 2SK2043	FE TRANSISTOR
		or 2SK2325	POWER MOS FET
		or 2SK2325-LT	POWER MOS FET
	Q5102	2SD2144S/UV/-T	TRANSISTOR
	Q5303	2SD1819A/RS/-X	TRANSISTOR
		or 2PC4081/R/-X	TRANSISTOR
		or 2SC4081/RS/-X	TRANSISTOR
	Q5304	2SD2144S/UV/-T	TRANSISTOR
	Q5305	DTA114EU	TRANSISTOR
		or RN2302	TRANSISTOR
		or UN5111	TRANSISTOR
		or PDTA114EU	TRANSISTOR
	Q5306	DTC114EU	TRANSISTOR
		or PDTC114EU	TRANSISTOR
		or RN1302	TRANSISTOR
		or UN5211	TRANSISTOR
	Q5321	2SC3616/ML/-T	TRANSISTOR
	Q6030	2SB1218A/QR/-X	TRANSISTOR
		or 2SA1576A/QR/-X	TRANSISTOR
		or 2PA1576/R/-X	TRANSISTOR
	Q7001	DTA143TU	TRANSISTOR
	Q7002	DTA143TU	TRANSISTOR
	Q7003	DTA143TU	TRANSISTOR
	Q7004	DTA143TU	TRANSISTOR
	Q7005	DTA143TU	TRANSISTOR
	Q7006	DTC143TU	TRANSISTOR
	Q7007	DTC143TU	TRANSISTOR
	Q7008	DTC143TU	TRANSISTOR
	Q7009	DTC143TU	TRANSISTOR
	Q7010	DTC143TU	TRANSISTOR
	Q7011	DTC143TU	TRANSISTOR
	Q7012	DTC143TU	TRANSISTOR
	D3001	LNB2301L01VI	LE DIODE
	D3002	1SS133	DIODE
		or 1SS270A	DIODE
	D3005	11ES2	DIODE
		or 1A3G	DIODE
	D3016	MTZJ3.9B	ZENER DIODE
		or RD3.9ES/B2/-T2	ZENER DIODE
	D3017	1SS133	DIODE

#	△ REF No.	PART No.	PART NAME, DESCRIPTION		#	△ REF No.	PART No.	PART NAME, DESCRIPTION	
		or 1SS270A	DIODE		R905		NRSA02J-101X	MG RESISTOR	100Ω,1/10W
D5001		S1WB/A/60-4102	BRIDGE DIODE		R912		NRSA02J-750X	MG RESISTOR	75Ω,1/10W
		or S1WB(A)60F4072X	BRIDGE DIODE		R2003		NRSA02J-101X	MG RESISTOR	100Ω,1/10W
		or S1WB/A/60-X	BRIDGE DIODE		R2007		NRSA02J-123X	MG RESISTOR	12kΩ,1/10W
D5101		AU01	FR DIODE		R2010		NRSA02J-123X	MG RESISTOR	12kΩ,1/10W
		or ERA18-04-T2	FR DIODE		R2013		NRSA63J-682X	MG RESISTOR	6.8kΩ,1/16W
		or 1SR153-400-T2	FR DIODE		R2014		NRSA63J-224X	MG RESISTOR	220kΩ,1/16W
		or 10ELS4	FR DIODE		R2015		NRSA63J-181X	MG RESISTOR	180Ω,1/16W
D5102		AU01	FR DIODE		R2016		NRSA63J-473X	MG RESISTOR	47kΩ,1/16W
		or 1SR153-400-T2	FR DIODE		R2017		NRSA63J-123X	MG RESISTOR	12kΩ,1/16W
		or 10ELS4	FR DIODE		R2018		NRSA63J-472X	MG RESISTOR	4.7kΩ,1/16W
		or ERA18-04-T2	FR DIODE		R2019		NRSA63J-472X	MG RESISTOR	4.7kΩ,1/16W
D5103		1SS133	DIODE		R2024		NRSA63J-332X	MG RESISTOR	3.3kΩ,1/16W
		or 1SS270A	DIODE		R2053		NRSA63J-272X	MG RESISTOR	2.7kΩ,1/16W
D5105		1SS133	DIODE		R2054		NRSA02J-123X	MG RESISTOR	12kΩ,1/10W
		or 1SS270A	DIODE		R2055		NRSA02J-3R3X	MG RESISTOR	3.3Ω,1/10W
D5203		AU01Z	FR DIODE		R2056		NRSA02J-820X	MG RESISTOR	82Ω,1/10W
		or ERA18-02-T2	FR DIODE		R2057		NRSA02J-473X	MG RESISTOR	47kΩ,1/10W
		or PG104RS	FR DIODE		R2058		NRSA02J-183X	MG RESISTOR	18kΩ,1/10W
		or 1SR153-400-T2	FR DIODE		R2059		NRSA02J-473X	MG RESISTOR	47kΩ,1/10W
		or 10ELS2	FR DIODE		R2060		NRSA02J-183X	MG RESISTOR	18kΩ,1/10W
D5204		AU01Z	FR DIODE		R2201		NRSA02J-473X	MG RESISTOR	47kΩ,1/10W
		or ERA18-02-T2	FR DIODE		R2202		NRSA02J-682X	MG RESISTOR	6.8kΩ,1/10W
		or PG104RS	FR DIODE		R2205		NRSA02J-473X	MG RESISTOR	47kΩ,1/10W
		or 1SR153-400-T2	FR DIODE		R2206		NRSA02J-682X	MG RESISTOR	6.8kΩ,1/10W
		or 10ELS2	FR DIODE		R2209		NRSA02J-101X	MG RESISTOR	100Ω,1/10W
D5207		AK04	DIODE		R2210		NRSA02J-472X	MG RESISTOR	4.7kΩ,1/10W
		or 11EQS04	SB DIODE		R2211		NRSA02J-332X	MG RESISTOR	3.3kΩ,1/10W
D5210		AU01Z	FR DIODE		R2212		NRSA02J-332X	MG RESISTOR	3.3kΩ,1/10W
		or ERA18-02-T2	FR DIODE		R2213		NRSA02J-472X	MG RESISTOR	4.7kΩ,1/10W
		or 1SR153-400-T2	FR DIODE		R2214		NRSA02J-101X	MG RESISTOR	100Ω,1/10W
		or 10ELS2	FR DIODE		R2215		QRE141J-221Y	RESISTOR	220Ω,1/4W
		or PG104RS	FR DIODE		R2216		NRSA02J-102X	MG RESISTOR	1kΩ,1/10W
D5301		MTZJ15C	ZENER DIODE		R2217		NRSA02J-472X	MG RESISTOR	4.7kΩ,1/10W
		or RD15ES/B3/-T2	ZENER DIODE		R2218		NRSA02J-392X	MG RESISTOR	3.9kΩ,1/10W
D5302		QUY153-050Y	IM BUS WIRE		R2219		NRSA02J-102X	MG RESISTOR	1kΩ,1/10W
D5303		RD5.1JS/B2/-T2	ZENER DIODE		R2220		NRSA02J-102X	MG RESISTOR	1kΩ,1/10W
		or MA4051N/M/-T2	ZENER DIODE		R2221		QRE141J-102Y	RESISTOR	1kΩ,1/4W
D5304		1SS133	DIODE		R2222		NRSA02J-0R0X	MG RESISTOR	0Ω,1/10W
		or 1SS270A	DIODE		R2225		NRSA02J-0R0X	MG RESISTOR	0Ω,1/10W
D5307		QUY160-100Y	IM BUS WIRE		R2251		NRSA63J-472X	MG RESISTOR	4.7kΩ,1/16W
D5316		QUY160-100Y	IM BUS WIRE		R2252		NRSA63J-332X	MG RESISTOR	3.3kΩ,1/16W
D6002		HZ30-2L-T2	ZENER DIODE		R2253		QRE141J-101Y	RESISTOR	100Ω,1/4W
		or HZ30-2LTD	Z DIODE (M)		R2255		NRSA63J-273X	MG RESISTOR	27kΩ,1/16W
R1		NRSA63J-682X	MG RESISTOR	6.8kΩ,1/16W	R3001		NRSA02J-0R0X	MG RESISTOR	0Ω,1/10W
R2		NRSA63J-152X	MG RESISTOR	1.5kΩ,1/16W	R3017		NRSA02J-0R0X	MG RESISTOR	0Ω,1/10W
R3		NRSA63J-822X	MG RESISTOR	8.2kΩ,1/16W	R3018		NRSA02J-0R0X	MG RESISTOR	0Ω,1/10W
R6		NRSA63J-273X	MG RESISTOR	27kΩ,1/16W	R3021		QUY160-100Y	IM BUS WIRE	
R7		NRSA63J-821X	MG RESISTOR	820Ω,1/16W	R3027		QUY160-100Y	IM BUS WIRE	
R8		NRSA63J-0R0X	MG RESISTOR	0Ω,1/16W	R3028		NRSA63J-102X	MG RESISTOR	1kΩ,1/16W
R9		NRSA63J-0R0X	MG RESISTOR	0Ω,1/16W	R3056		NRSA02J-102X	MG RESISTOR	1kΩ,1/10W
R12		QUY153-050Y	IM BUS WIRE		R3057		NRSA02J-102X	MG RESISTOR	1kΩ,1/10W
R37		NRSA63J-0R0X	MG RESISTOR	0Ω,1/16W	R3060		NRSA02J-0R0X	MG RESISTOR	0Ω,1/10W
R49		NRSA63J-561X	MG RESISTOR	560Ω,1/16W	R3090		NRSA02J-102X	MG RESISTOR	1kΩ,1/10W
R66		NRSA63J-104X	MG RESISTOR	100kΩ,1/16W	R3114		QRE141J-0R0Y	RESISTOR	0Ω,1/4W
R77		NRSA63J-103X	MG RESISTOR	10kΩ,1/16W	R3116		NRSA02J-103X	MG RESISTOR	10kΩ,1/10W
R118		NRSA63J-222X	MG RESISTOR	2.2kΩ,1/16W	R3117		NRSA02J-103X	MG RESISTOR	10kΩ,1/10W
R201		NRSA02J-332X	MG RESISTOR	3.3kΩ,1/10W	R3201		NRSA02J-332X	MG RESISTOR	3.3kΩ,1/10W
R202		NRSA02J-222X	MG RESISTOR	2.2kΩ,1/10W	R3206		NRSA02J-103X	MG RESISTOR	10kΩ,1/10W
R901		NRSA02J-750X	MG RESISTOR	75Ω,1/10W	R3207		NRSA02J-103X	MG RESISTOR	10kΩ,1/10W
R904		QRE123J-331X	RESISTOR	330Ω,1/2W	R3208		NRSA02J-103X	MG RESISTOR	10kΩ,1/10W

#	△ REF No.	PART No.	PART NAME, DESCRIPTION	#	△ REF No.	PART No.	PART NAME, DESCRIPTION
R3209		QRE141J-181Y	RESISTOR 180Ω,1/4W	R5316		NRVA02D-822X	CMF RESISTOR 8.2kΩ,1/10W
R3211		NRSA02J-183X	MG RESISTOR 18kΩ,1/10W	R5332		QRE141J-222Y	RESISTOR 2.2kΩ,1/4W
R3212		NRSA02J-181X	MG RESISTOR 180Ω,1/10W	R6020		NRSA02J-102X	MG RESISTOR 1kΩ,1/10W
R3213		QRE141J-273Y	RESISTOR 27kΩ,1/4W	R6021		NRSA02J-102X	MG RESISTOR 1kΩ,1/10W
R3214		NRSA02J-181X	MG RESISTOR 180Ω,1/10W	R6030		NRSA02J-332X	MG RESISTOR 3.3kΩ,1/10W
R3215		NRSA02J-273X	MG RESISTOR 27kΩ,1/10W	R6031		QUY153-050Y	IM BUS WIRE
R3216		NRSA02J-474X	MG RESISTOR 470kΩ,1/10W	R6050		QUY160-100Y	IM BUS WIRE
R3217		NRSA02J-334X	MG RESISTOR 330kΩ,1/10W	R6054		NRSA02J-102X	MG RESISTOR 1kΩ,1/10W
R3218		NRSA02J-562X	MG RESISTOR 5.6kΩ,1/10W	R6502		NRSA02J-332X	MG RESISTOR 3.3kΩ,1/10W
R3219		QRE141J-103Y	RESISTOR 10kΩ,1/4W	R6503		NRSA02J-153X	MG RESISTOR 15kΩ,1/10W
R3220		NRSA02J-562X	MG RESISTOR 5.6kΩ,1/10W	R6504		NRSA02J-103X	MG RESISTOR 10kΩ,1/10W
R3222		NRSA02J-471X	MG RESISTOR 470Ω,1/10W	R7001		QRE141J-331Y	RESISTOR 330Ω,1/4W
R3223		NRSA63J-105X	MG RESISTOR 1MΩ,1/16W	R7002		NRSA02J-331X	MG RESISTOR 330Ω,1/10W
R3224		NRSA63J-101X	MG RESISTOR 100Ω,1/16W	R7003		NRSA02J-331X	MG RESISTOR 330Ω,1/10W
R3226		NRSA02J-103X	MG RESISTOR 10kΩ,1/10W	R7004		NRSA02J-331X	MG RESISTOR 330Ω,1/10W
R3227		NRSA02J-103X	MG RESISTOR 10kΩ,1/10W	R7005		NRSA63J-331X	MG RESISTOR 330Ω,1/16W
R3237		NRSA02J-472X	MG RESISTOR 4.7kΩ,1/10W	R7006		NRSA02J-331X	MG RESISTOR 330Ω,1/10W
R3238		NRSA02J-472X	MG RESISTOR 4.7kΩ,1/10W	R7007		NRSA63J-331X	MG RESISTOR 330Ω,1/16W
R3242		NRSA02J-0R0X	MG RESISTOR 0Ω,1/10W	R7020		NRSA02J-103X	MG RESISTOR 10kΩ,1/10W
R3243		NRSA02J-681X	MG RESISTOR 680Ω,1/10W	R7021		NRSA02J-122X	MG RESISTOR 1.2kΩ,1/10W
R3244		NRSA02J-331X	MG RESISTOR 330Ω,1/10W	R7022		NRSA02J-182X	MG RESISTOR 1.8kΩ,1/10W
R3245		NRSA02J-682X	MG RESISTOR 6.8kΩ,1/10W	R7023		NRSA02J-222X	MG RESISTOR 2.2kΩ,1/10W
R4001		QRE141J-222Y	RESISTOR 2.2kΩ,1/4W	R7024		NRSA02J-272X	MG RESISTOR 2.7kΩ,1/10W
R4002		QRE141J-562Y	RESISTOR 5.6kΩ,1/4W	R7030		NRSA02J-103X	MG RESISTOR 10kΩ,1/10W
R4003		NRSA02J-222X	MG RESISTOR 2.2kΩ,1/10W	R7031		NRSA02J-122X	MG RESISTOR 1.2kΩ,1/10W
R4004		QUY160-100Y	IM BUS WIRE	R7032		NRSA02J-182X	MG RESISTOR 1.8kΩ,1/10W
R4006		NRSA02J-472X	MG RESISTOR 4.7kΩ,1/10W	R7033		NRSA02J-222X	MG RESISTOR 2.2kΩ,1/10W
R4010		NRSA02J-471X	MG RESISTOR 470Ω,1/10W	R7034		NRSA02J-272X	MG RESISTOR 2.7kΩ,1/10W
R4011		NRSA02J-471X	MG RESISTOR 470Ω,1/10W	R7035		NRSA02J-472X	MG RESISTOR 4.7kΩ,1/10W
R4012		NRSA02J-153X	MG RESISTOR 15kΩ,1/10W	R7036		NRSA02J-682X	MG RESISTOR 6.8kΩ,1/10W
R4013		NRSA02J-102X	MG RESISTOR 1kΩ,1/10W	R7037		NRSA02J-563X	MG RESISTOR 56kΩ,1/10W
R4018		NRSA02J-103X	MG RESISTOR 10kΩ,1/10W	R7046		QRE141J-683Y	RESISTOR 68kΩ,1/4W
R4019		NRSA02J-102X	MG RESISTOR 1kΩ,1/10W	B6		NRSA63J-0R0X	MG RESISTOR 0Ω,1/16W
R4020		NRSA02J-102X	MG RESISTOR 1kΩ,1/10W	B23		NRSA63J-0R0X	MG RESISTOR 0Ω,1/16W
R4021		NRSA02J-103X	MG RESISTOR 10kΩ,1/10W	B3001		QUY153-050Y	IM BUS WIRE
R4024		QRE141J-103Y	RESISTOR 10kΩ,1/4W	B5001		QUY160-100Y	IM BUS WIRE
△ R5001		QRZ9046-475Z	RESISTOR 4.7MΩ,1/2W	B5002		QUY160-100Y	IM BUS WIRE
R5101		QRE141J-224Y	RESISTOR 220kΩ,1/4W	B5301		NRSA02J-0R0X	MG RESISTOR 0Ω,1/10W
R5102		QRE141J-224Y	RESISTOR 220kΩ,1/4W	B6020		QUY160-075Y	IM BUS WIRE
R5103		QRE141J-683Y	RESISTOR 68kΩ,1/4W	B7009		NRSA02J-0R0X	MG RESISTOR 0Ω,1/10W
R5104		QRG02GJ-683	OMF RESISTOR 68kΩ,2W	C1		NCF31AZ-105X	CAPACITOR 1μF,10V
R5106		QRT01DJ-R39X	MF RESISTOR 0.39Ω,1W	C2		NCF31AZ-105X	CAPACITOR 1μF,10V
R5107		QRE121J-331Y	RESISTOR 330Ω,1/2W	C3		NCF31AZ-105X	CAPACITOR 1μF,10V
R5108		NRSA02J-122X	MG RESISTOR 1.2kΩ,1/10W	C4		NCF31AZ-105X	CAPACITOR 1μF,10V
R5109		QRE141J-681Y	RESISTOR 680Ω,1/4W	C5		QEK1CM-476	E CAPACITOR 47μF,16V
R5110		NRSA02J-224X	MG RESISTOR 220kΩ,1/10W	C6		NCB11EK-104X	CAPACITOR 0.1μF,25V
R5111		NRSA02J-821X	MG RESISTOR 820Ω,1/10W	C7		NCB21HK-471X	CAPACITOR 470pF,50V
R5112		NRSA02J-221X	MG RESISTOR 220Ω,1/10W	C8		NCB31CK-104X	CAPACITOR 0.1μF,16V
R5301		NRSA02J-472X	MG RESISTOR 4.7kΩ,1/10W	C9		NCB31EK-103X	CAPACITOR 0.01μF,25V
R5302		NRSA02J-152X	MG RESISTOR 1.5kΩ,1/10W	C10		NDC31HJ-151X	CAPACITOR 150pF,50V
R5303		NRSA02J-152X	MG RESISTOR 1.5kΩ,1/10W	C11		NCB31CK-104X	CAPACITOR 0.1μF,16V
R5304		NRSA02J-471X	MG RESISTOR 470Ω,1/10W	C12		NDC31HJ-330X	CAPACITOR 33pF,50V
R5305		NRSA02J-102X	MG RESISTOR 1kΩ,1/10W	C14		NCB31CK-104X	CAPACITOR 0.1μF,16V
R5306		NRSA02J-471X	MG RESISTOR 470Ω,1/10W	C16		NCB31CK-104X	CAPACITOR 0.1μF,16V
R5308		NRSA02J-471X	MG RESISTOR 470Ω,1/10W	C17		QEKJ1HM-335	E CAPACITOR 3.3μF,50V
R5309		NRSA02J-103X	MG RESISTOR 10kΩ,1/10W	C19		QEKJ1HM-225	E CAPACITOR 2.2μF,50V
R5310		NRSA02J-471X	MG RESISTOR 470Ω,1/10W	C20		QEKJ1HM-105	E CAPACITOR 1μF,50V
R5311		NRSA02J-473X	MG RESISTOR 47kΩ,1/10W	C21		NCB31CK-104X	CAPACITOR 0.1μF,16V
R5312		NRVA02D-332X	CMF RESISTOR 3.3kΩ,1/10W	C22		QEKJ0JM-476	E CAPACITOR 47μF,6.3V
R5313		NRVA02D-362X	CMF RESISTOR 3.6kΩ,1/10W	C23		NCB31CK-223X	CAPACITOR 0.022μF,16V
R5314		NRSA02J-332X	MG RESISTOR 3.3kΩ,1/10W	C24		QCFB1HZ-104	CAPACITOR 0.1μF,50V

#	△	REF No.	PART No.	PART NAME, DESCRIPTION	#	△	REF No.	PART No.	PART NAME, DESCRIPTION
C25			NDC31HJ-5R0X	CAPACITOR 5pF,50V	C2216			QEKJ1CM-476	E CAPACITOR 47μF,16V
C26			NCB31CK-223X	CAPACITOR 0.022μF,16V	C2218			QEKJ1EM-106	E CAPACITOR 10μF,25V
C27			NCB31EK-223X	CAPACITOR 0.022μF,25V	C2219			QEKJ1CM-226	E CAPACITOR 22μF,16V
C28			QEKJ1HM-335	E CAPACITOR 3.3μF,50V	C2220			QEKJ1EM-106	E CAPACITOR 10μF,25V
C29			NCB31EK-472X	CAPACITOR 0.0047μF,25V	C2221			NCB21EK-223X	CAPACITOR 0.022μF,25V
C30			QEKJ1HM-474	E CAPACITOR 0.47μF,50V	C2222			NCB31EK-103X	CAPACITOR 0.01μF,25V
C31			QEKJ0JM-476	E CAPACITOR 47μF,6.3V	C2251			NCB21HK-103X	CAPACITOR 0.01μF,50V
C32			QDYB1CM-103Y	CAPACITOR 0.01μF,16V	C2252			NCB31EK-103X	CAPACITOR 0.01μF,25V
C33			QEKJ1HM-225	E CAPACITOR 2.2μF,50V	C2253			NCB31EK-103X	CAPACITOR 0.01μF,25V
C34			NCB21EK-104X	CAPACITOR 0.1μF,25V	C2254			QEKJ0JM-476	E CAPACITOR 47μF,6.3V
C35			NCB31CK-333X	CAPACITOR 0.033μF,16V	C2255			NCB31EK-103X	CAPACITOR 0.01μF,25V
C36			QEKJ1EM-475	E CAPACITOR 4.7μF,25V	C2256			NCB21HK-103X	CAPACITOR 0.01μF,50V
C37			QEKJ1EM-475	E CAPACITOR 4.7μF,25V	C2257			NCB31EK-103X	CAPACITOR 0.01μF,25V
C38			QEKJ0JM-476	E CAPACITOR 47μF,6.3V	C2259			QEKJ1HM-334	E CAPACITOR 0.33μF,50V
C39			NCB31CK-223X	CAPACITOR 0.022μF,16V	C2260			NRSA63J-684X	MG RESISTOR 680kΩ,1/16W
C40			QEKJ1CM-106	E CAPACITOR 10μF,16V	C3001			NCB21EK-223X	CAPACITOR 0.022μF,25V
C51			QERF1HM-105	E CAPACITOR 1μF,50V	C3003			QEKJ1CM-106	E CAPACITOR 10μF,16V
C54			NRSA63J-0R0X	MG RESISTOR 0Ω,1/16W	C3004			NDC31HJ-101X	CAPACITOR 100pF,50V
C62			NCB31CK-104X	CAPACITOR 0.1μF,16V	C3008			NCB21HK-103X	CAPACITOR 0.01μF,50V
C120			QEKJ1HM-105	E CAPACITOR 1μF,50V	C3011			QEKJ1HM-475	E CAPACITOR 4.7μF,50V
C136			NCB31CK-104X	CAPACITOR 0.1μF,16V	C3016			NDC21HJ-180X	CAPACITOR 18pF,50V
C144			NCB31EK-103X	CAPACITOR 0.01μF,25V	C3017			NDC21HJ-270X	CAPACITOR 27pF,50V
C201			QERF0JM-476	E CAPACITOR 47μF,6.3V	C3019			NRSA02J-0R0X	MG RESISTOR 0Ω,1/10W
C202			NCB21EK-223X	CAPACITOR 0.022μF,25V	C3023			NCF21CZ-105X	CAPACITOR 1μF,16V
C203			QERF1HM-105	E CAPACITOR 1μF,50V	C3035			NCB31EK-223X	CAPACITOR 0.022μF,25V
C205			NDC21HJ-101X	CAPACITOR 100pF,50V	C3036			QERF0JM-107	E CAPACITOR 100μF,6.3V
C207			NCF21CZ-105X	CAPACITOR 1μF,16V	C3041			NDC21HJ-101X	CAPACITOR 100pF,50V
C208			NRSA02J-0R0X	MG RESISTOR 0Ω,1/10W	C3042			NDC21HJ-101X	CAPACITOR 100pF,50V
C210			NRSA02J-0R0X	MG RESISTOR 0Ω,1/10W	C3049			NCB21HK-103X	CAPACITOR 0.01μF,50V
C901			QETN0JM-477	E CAPACITOR 470μF,6.3V	C3050			NCB21HK-103X	CAPACITOR 0.01μF,50V
C904			NCB21EK-223X	CAPACITOR 0.022μF,25V	C3052			NCB21HK-103X	CAPACITOR 0.01μF,50V
C2001			QEKJ1HM-475	E CAPACITOR 4.7μF,50V	C3053			QDYB1CM-103Y	CAPACITOR 0.01μF,16V
C2002			QEKJ1HM-105	E CAPACITOR 1μF,50V	C4001			NCB21EK-104X	CAPACITOR 0.1μF,25V
C2003			QEKJ0JM-476	E CAPACITOR 47μF,6.3V	C4002			QERF1HM-105	E CAPACITOR 1μF,50V
C2005			QEKJ1HM-475	E CAPACITOR 4.7μF,50V	C4004			QERF1AM-336	E CAPACITOR 33μF,10V
C2006			NCB31EK-123X	CAPACITOR 0.012μF,25V	C4006			NCB21EK-563X	CAPACITOR 0.056μF,25V
C2007			QEKJ1CM-226	E CAPACITOR 22μF,16V	C4007			NCB21HK-103X	CAPACITOR 0.01μF,50V
C2008			QEKJ1HM-475	E CAPACITOR 4.7μF,50V	C4009			NCB21HK-102X	CAPACITOR 0.001μF,50V
C2009			NCB31HK-102X	CAPACITOR 0.001μF,50V	C4010			QERF0JM-476	E CAPACITOR 47μF,6.3V
C2010			NCB31HK-152X	CAPACITOR 0.0015μF,50V	C4011			NCB21CK-224X	CAPACITOR 0.22μF,16V
C2011			QEKJ1HM-475	E CAPACITOR 4.7μF,50V	C4014			NDC21HJ-101X	CAPACITOR 100pF,50V
C2012			QEKJ1HM-475	E CAPACITOR 4.7μF,50V	C4015			NDC21HJ-101X	CAPACITOR 100pF,50V
C2051			QCB1HK-331	CAPACITOR 330pF,50V	C4019			NCB21HK-103X	CAPACITOR 0.01μF,50V
C2052			QFN31HJ-823	F CAPACITOR 0.082μF,50V	C4022			NDC21HJ-101X	CAPACITOR 100pF,50V
C2053			NCB21HK-472X	CAPACITOR 0.0047μF,50V	△ C5001			QFZ9073-683	F CAPACITOR 0.068μF,250V
C2054			NCB21EK-223X	CAPACITOR 0.022μF,25V	△ C5004			QCZ9094-472	CAPACITOR 0.0047μF,125V
C2055			QEKJ1EM-106	E CAPACITOR 10μF,25V	C5006			QETM2DM-476	E CAPACITOR 47μF,200V
C2201			QEKJ1EM-106	E CAPACITOR 10μF,25V	C5101			QCZ0212-472	CAPACITOR 0.0047μF,1kV
C2202			QEKJ1HM-475	E CAPACITOR 4.7μF,50V	C5102			QCZ0339-101Z	CAPACITOR 100pF,1kV
C2203			QEKJ1HM-475	E CAPACITOR 4.7μF,50V	C5104			QEKJ1HM-105	E CAPACITOR 1μF,50V
C2204			QEKJ0JM-336	E CAPACITOR 33μF,6.3V	C5105			QFN31HJ-183	F CAPACITOR 0.018μF,50V
C2205			QEKJ1EM-106	E CAPACITOR 10μF,25V	C5106			QCB1HJ-271	CAPACITOR 270pF,50V
C2206			QEKJ1EM-106	E CAPACITOR 10μF,25V	C5107			QFV11HJ-104	F CAPACITOR 0.1μF,50V
C2207			NCB31EK-153X	CAPACITOR 0.015μF,25V	C5202			QETN1CM-108	E CAPACITOR 1000μF,16V
C2208			NCB31EK-153X	CAPACITOR 0.015μF,25V	C5203			QETN1AM-108	E CAPACITOR 1000μF,10V
C2209			QEKJ1EM-106	E CAPACITOR 10μF,25V	C5204			QETJ2AM-475	E CAPACITOR 4.7μF,100V
C2210			QEKJ1EM-106	E CAPACITOR 10μF,25V	C5206			QEKJ1CM-476	E CAPACITOR 47μF,16V
C2211			QEKJ0JM-336	E CAPACITOR 33μF,6.3V	C5207			QEKJ1CM-107	E CAPACITOR 100μF,16V
C2212			QEKJ0JM-476	E CAPACITOR 47μF,6.3V	C5301			QEKJ1CM-107	E CAPACITOR 100μF,16V
C2214			QEKJ1EM-106	E CAPACITOR 10μF,25V	C5302			QEKJ1EM-106	E CAPACITOR 10μF,25V
C2215			QEKJ1EM-106	E CAPACITOR 10μF,25V	C5303			QEKJ1CM-107	E CAPACITOR 100μF,16V

#	△ REF No.	PART No.	PART NAME, DESCRIPTION	#	△ REF No.	PART No.	PART NAME, DESCRIPTION	
		C5304	QFLC1HJ-102Z	F CAPACITOR	0.001μF,50V	DI7001	LTG-Y2K12M-01J	LE DIODE
		C5305	QFV91HJ-154	F CAPACITOR	0.15μF,50V	△ TB1	LP20978-001B	TERMINAL BOARD
		C6029	NRSA02J-0R0X	MG RESISTOR	0Ω,1/10W	TU6001	QAU0207-001	TUNER
		C6501	NCB21EK-104X	CAPACITOR	0.1μF,25V	FC5001	QNG0006-001Z	FUSE CLIP,F5001
		C6502	QEK1HM-106	E CAPACITOR	10μF,50V	FC5002	QNG0006-001Z	FUSE CLIP,F5001
		C6503	QEKJ1HM-105	E CAPACITOR	1μF,50V	J2	QNN0286-002	PIN JACK,A/V OUT
		C6504	QCFB1HZ-104	CAPACITOR	0.1μF,50V	J7101	QNN0381-001	PIN JACK,FRONT IN
		C6506	QEKJ1HM-105	E CAPACITOR	1μF,50V	△ LF5002	QQR0532-001	LINE FILTER
		C6508	NCB21EK-223X	CAPACITOR	0.022μF,25V	SG5001	QUY160-150Y	IM BUS WIRE
		C6509	NCB21EK-104X	CAPACITOR	0.1μF,25V	△ VA5001	QAF0023-431Z	VARISTOR
		C6512	NCB21EK-223X	CAPACITOR	0.022μF,25V	CN1	QGF1028C1-11	FPC CONNECTOR,(1-11)U.DRUM
		C6513	QEKJ1HM-225	E CAPACITOR	2.2μF,50V	CN2001	QGF1207C1-07	FPC CONNECTOR,(1-7)A/C HEAD
		C6514	NCB21EK-223X	CAPACITOR	0.022μF,25V	CN2002	QGB2532J1-02	CONNECTOR,(1-2)FE HEAD
		C6515	QEK1HM-335	E CAPACITOR	3.3μF,50V	CN3001	QGB2015M2-08	CONNECTOR,(1-8)CAPSTAN MOTOR
		C6516	QEKJ1HM-475	E CAPACITOR	4.7μF,50V	CN3002	QGF1207C1-05	FPC CONNECTOR,(1-5)DRUM MDA
		C6517	NCB21CK-224X	CAPACITOR	0.22μF,16V	CN3003	QGB2532J1-02	CONNECTOR,(1-2)LOADING MOTOR
		C7013	NCB21HK-103X	CAPACITOR	0.01μF,50V	CN3004	QGB2534J2-04	CONNECTOR,(1-4)ROTARY ENCODER
		C7014	NCB21HK-103X	CAPACITOR	0.01μF,50V	△ CP4001	ICP-N25	CIRCUIT PROTECTOR
		C7041	QEKJ0JM-227	E CAPACITOR	220μF,6.3V	△ CP5302	ICP-N25	CIRCUIT PROTECTOR
		C7042	QCBB1HK-332	CAPACITOR	0.0033μF,50V	△ F5001	QMF51N2-1R25J1	FUSE T1.25A,AC250V
		L1	QQL29BJ-100Z	COIL	10μH			
		L2	QUY153-050Y	IM BUS WIRE				
		L3	QQL29BJ-100Z	COIL	10μH			
		L4	QQL29BJ-100Z	COIL	10μH			
		L5	QQL29BJ-100Z	COIL	10μH			
		L11	QQL01BJ-120Z	COIL	12μH			
		L201	QUY153-050Y	IM BUS WIRE				
		L203	QQL231J-4R7Y	COIL	4.7μH			
		L901	QQL29BJ-100Z	COIL	10μH			
		L2001	QUY153-050Y	IM BUS WIRE				
		L2201	QUY153-050Y	IM BUS WIRE				
		L2251	QQL29BJ-100Z	COIL	10μH			
		L5201	PELN1184	COIL	33μH			
		L5202	PELN1184	COIL	33μH			
		L6001	QUY153-050Y	IM BUS WIRE				
		L6003	QUY153-050Y	IM BUS WIRE				
		L6032	QUY153-050Y	IM BUS WIRE				
		L6050	QUY153-050Y	IM BUS WIRE				
		L6501	QUY153-050Y	IM BUS WIRE				
		L7111	NRSA02J-0R0X	MG RESISTOR	0Ω,1/10W			
		L7112	QUY160-100Y	IM BUS WIRE				
		X2	QAX0575-001	CRYSTAL RESONATOR				
		X3001	QAX0526-001Z	CRYSTAL RESONATOR				
		S3001	QSW0602-004	PUSH SWITCH,REC.SAFETY				
		S7004	QSW0456-002Z	TACT SWITCH,REW/CH-				
		S7006	QSW0456-002Z	TACT SWITCH,FF/CH+				
		S7010	QSW0456-002Z	TACT SWITCH,PLAY				
		S7016	QSW0456-002Z	TACT SWITCH,POWER				
		S7017	QSW0456-002Z	TACT SWITCH,STOP/EJECT				
		S7018	QSW0456-002Z	TACT SWITCH,REC				
		S7019	QSW0456-002Z	TACT SWITCH,PAUSE/CH				
		K5101	QQR0678-001Z	FERRITE BEAD				
		K5102	QUY153-050Y	IM BUS WIRE				
		PC3001	GP3S123	IC(PHOTO SENSOR)				
		PC3002	GP3S123	IC(PHOTO SENSOR)				
△		PC5101	PC817X	IC(PHOTO COUPLER)				
		T2051	PELN0832	OSC TRANSFORMER				
△		T5001	QQS0083-001	SW TRANSFORMER				
		ET1	LP30859-001A	EARTH PLATE				
△		CD1	QMPD340-165-K	POWER CORD				
		SD1	LP20990-001A	SHEILD PLATE				